

» OPERADOR INVERTER ENCODER ABSO TAB 40NM 220V MARCA POWEVER
MOD C40-DW4, MOD. C60-DW4.

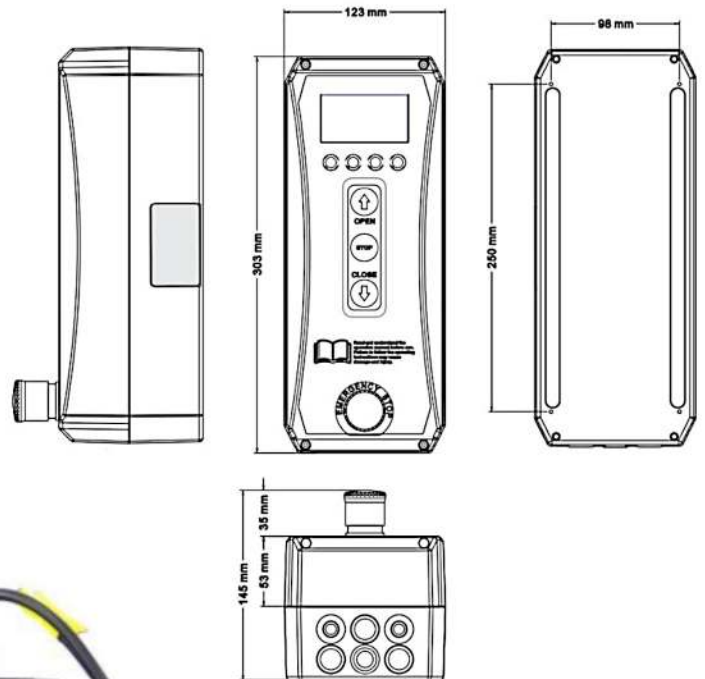
Specification for Controller

Model	DW4	
Enclosure material	ABS	
Dimension(L*W*H)	303x123x105(145)(include E-STOP)	mm
Installation method	Vertical installation without vibration	
Power supply	1N~200-240	V
Power frequency	50/60	Hz
Rate output power	1.5	KW
External power supply	12	VDC
	0.4	A
Ambient temperature	-20 ~ +50	°C
Storage temperature	-25 ~ +55	°C
Ambient humidity	30%-85%, No condensation	
Place of use	Indoor, no direct sunlight, no dust, corrosive gas, oil mist, water vapor, etc.	
Weight(net)	1.0	Kg

Industrial Door Servo Control System

Size

UNIT: mm



DW4 Controller



C40-DW4
C60-DW4



» OPERADOR INVERTER ENCODER ABSO TAB 40NM 220V MARCA POWEVER
MOD C40-DW4, MOD. C60-DW4.

Industrial Door Servo Control System

Specification for Motor

Model	C40	C60	
Rated Output Speed	40		RPM
Rated Output Torque	40	60	Nm
Power supply	1N ~ AC200-240		V
Power frequency	50/60		Hz
Power current	4.8	6.5	A
Ambient temperature	-20 ~ +50		°C
Storage temperature	-25 ~ +55		°C
Ambient humidity	30%-85%, No condensation		
IP degree	IP54		
Limit Mode	Absolute Encoder		
Self Locking Mode	Gear self-braking		
Manual Release	Rapid hand chain		
Weight(net)	11 ¹⁾	12 ¹⁾	Kg

1)Weight includes 8 meter hand chain.

Industrial Door Servo Control System

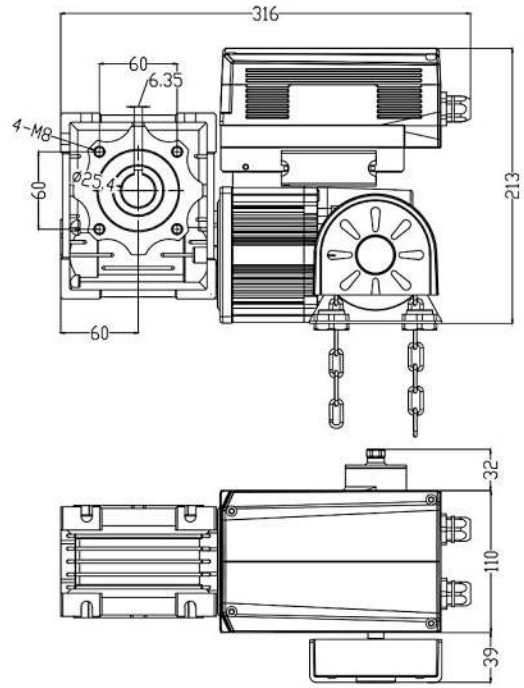
Industrial Door Servo Control System

Size

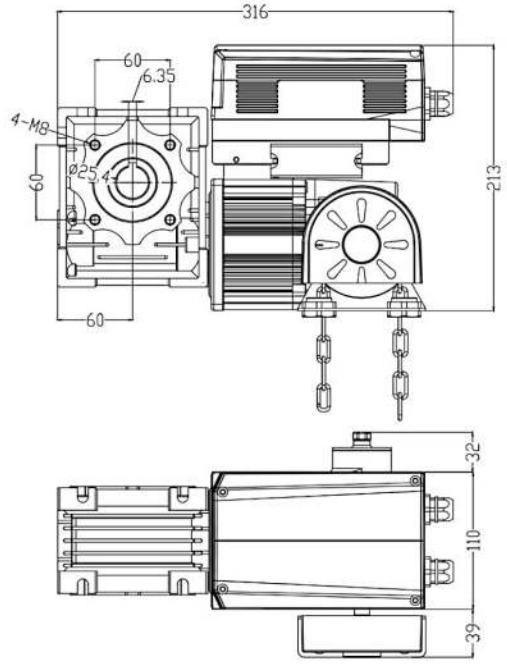
UNIT: mm

Size

UNIT: mm



Motor C40



Motor C60

(229) 288-1552

portonesautomaticos@adsver.com.mx
portonesautomaticos@prodigy.net.mx



V02.23